

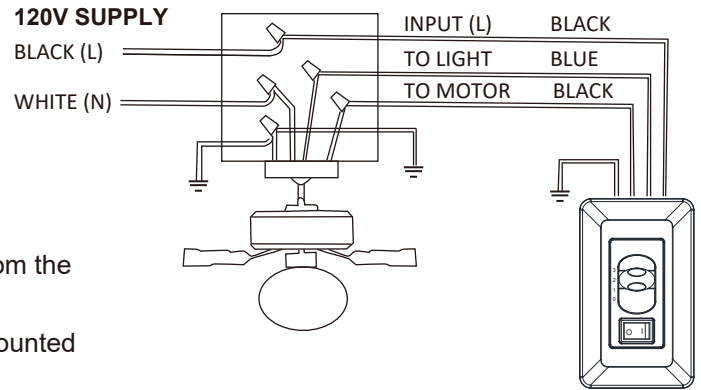
# Single-Slide Ceiling Fan Wall-Mounted Control Installation Instruction

Model #: FN-ACSWH

Disconnect the power and remove the existing wall plate and switch.

1. Set all knobs on the single slide wall-mounted control in the OFF position.
2. Installation of this control requires that a three-conductor cable with ground wire be run between the control wall box and the ceiling fan outlet box.
3. Make wire connections and secure with wire nuts supplied, refer to (FIG 1)
  - Connect black wire from A.C. power supply to black wire from the wall-mounted control.
  - Connect black or red wire from the ceiling fan to black wire from the wall-mounted control
  - Connect blue wire from the ceiling fan to blue wire the wall-mounted control.
4. Secure the wall-mounted control to the outlet box with two screws provided. (FIG 2)
5. The face plate clicks on the wall control.

FIG 1



**NOTE**

If your ceiling fan would be used with the original pull chain switch, please always have the fan switch set to high speed and the light switch set to on position before using the wall control. To avoid accidental pull chain use, shorten chain by cutting it 1' below switch body.

<b>⚠ WARNING</b>	<b>⚠ WARNING</b>
To avoid possible fire or shock, make sure that the electrical wires are completely inside the outlet box and not pinched between the wall plate and the wall	Check to see that all connections are tight, including ground, and that no bare wire is visible at the wire connectors, except for the ground wire. Do not operate fan until the blades are in place. Noise and fan damage could result.

**FUNCTION:**

Fan switch:

- 0: POWER OFF
- 1: HIGH SPEED
- 2: MEDIUM SPEED
- 3: LOW SPEED

Light Switch:

- 0: POWER OFF
- 1: POWER ON

FIG 2

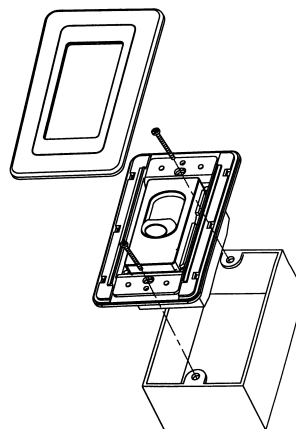
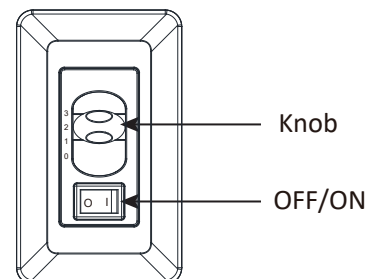


FIG 3



**Limited Factory Warranty**

This product is manufactured by AFX Inc. AFX warrants this fixture is free from defects in materials and workmanship when installed and used under normal operating conditions for a period of 1 year Non-Electrical parts from date of purchase. This warranty covers all component parts and extends only to replacement of defective fixture or components; it does not cover failure due to improper installation, misuse, mishandling or damage incurred in transit. Limited lifetime for motor and 5 years for light source.